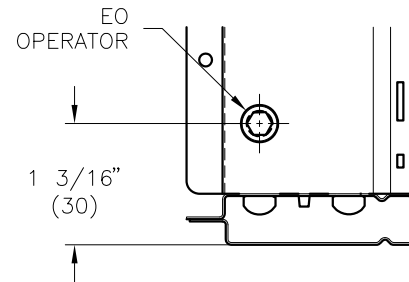
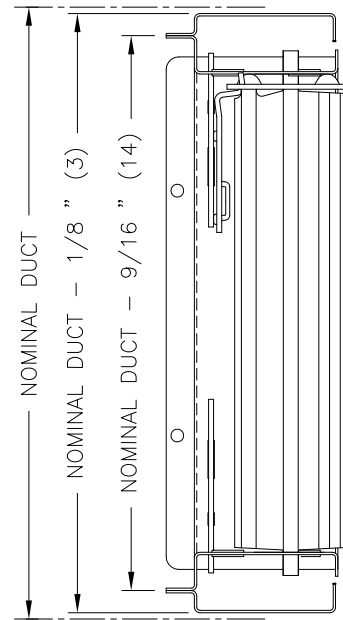
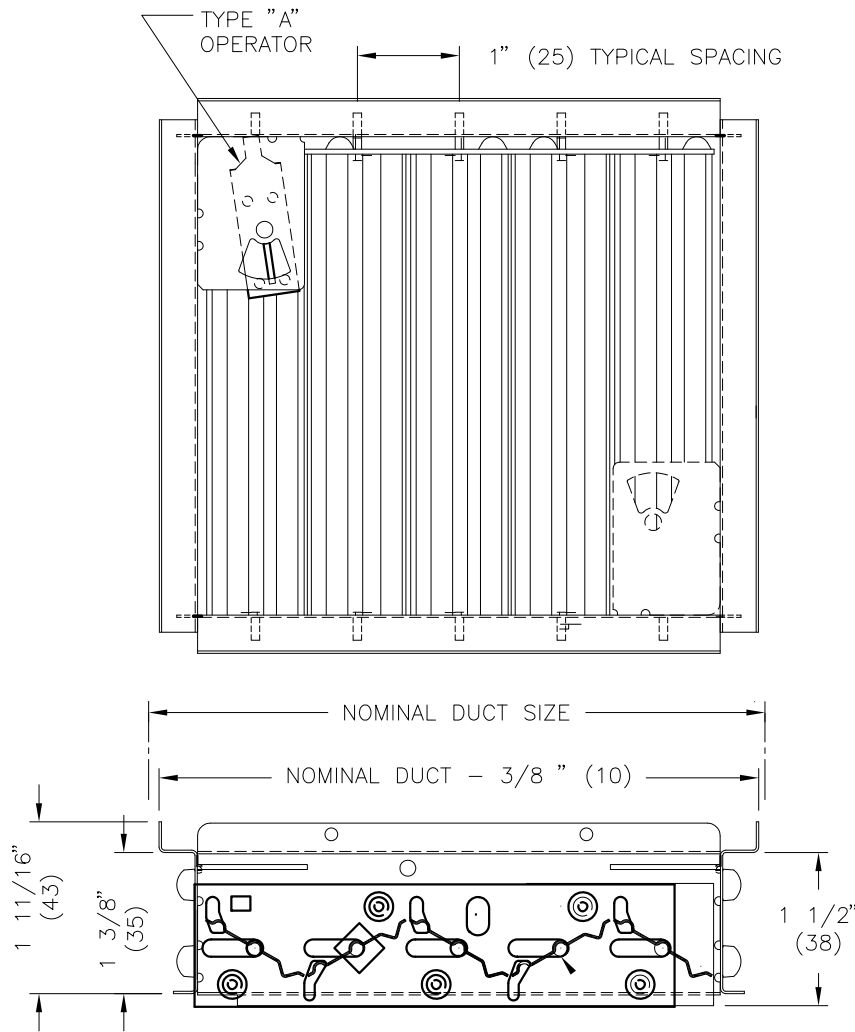


VCS3B OPPOSED BLADE VOLUME CONTROLLER



DETAIL OF VCS3B/EO OPERATOR LOCATION

NOTES:

- VCS3B IS FOR INSTALLATION AS A SEPARATE UNIT IN DUCT BEHIND A GRILLE, AND IS SUPPLIED WITH A TYPE A OPERATOR.
- VCS3B/EO IS FOR REMOTE MOUNTING IN A DUCT AS A SEPARATE UNIT, AND IS SUPPLIED WITH AN EO EXTERNAL HEX OPERATOR. EO OPERATOR IS ACCESSABLE THROUGH A ROUND HOLE IN DUCT, ACCESS HOLE IS TO BE PROVIDED BY THE INSTALLER.
- MINIMUM SIZE = 4"(102) x 2½ "(64)
- MAXIMUM SIZE = 24"(610) x 24"(610)
- UNITS LENGTH (DIMENSION PERPENDICULAR TO BLADE) AVAILABLE IN 1" (25) INCREMENTS ONLY
- UNITS WIDTH (DIMENSION PARALLEL TO BLADE) AVAILABLE IN FRACTIONAL SIZES
- FACTORY TOLERANCE ± 1/32"(1)
- TYPE "A" OPERATOR MIN SIZE = 4"(102) x 3"(76)
- TYPE "EO" OPERATOR MIN SIZE = 4"(102) x 3"(76)

MATERIAL:

- DAMPER - STEEL CONSTRUCTION


FINISH:

- COATED STEEL

OPERATOR:

- A OPERATOR
- EO EXTERNAL OPERATOR

ALL METRIC DIMENSIONS () ARE SOFT CONVERTED. IMPERIAL DIMENSIONS ARE CONVERTED TO METRIC AND ROUNDED TO THE NEAREST MILLIMETER.

PROJECT:		PRICE®	
ENGINEER:			VCS3B
CUSTOMER:		219289	OPPOSED BLADE VOLUME CONTROLLER
SUBMITTAL DATE:	SPEC. SYMBOL:	AUG 2012	